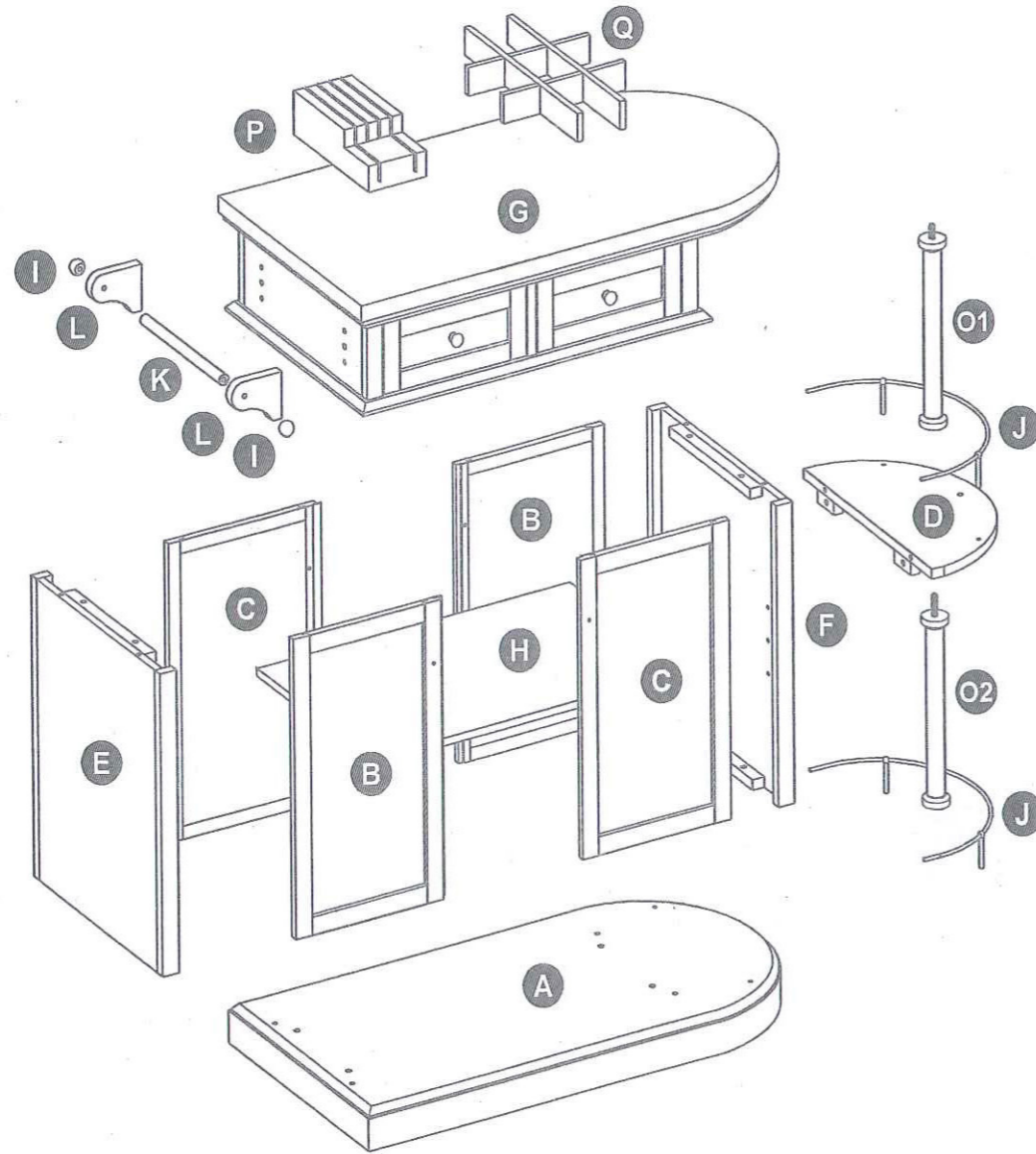


PACKAGE CONTENTS



Part	Description	Quantity
A	Base	1
B	Left Door	2
C	Right Door	2
D	Semi-circle panel	1
E	Left Side Panel	1
F	Right Side Panel	1
G	Top	1
H	Interior wood shelf	1
I	Cap (with bolt)	2
J	Semi-Circle Rail	2
K	Pushing Bar	1
L	Connect block	2
M	Cutting Board	1
O1	Support post	1
O2	Support post	1
P	Knives Rest	1
Q	Dividers	1

HARDWARE CONTENTS

Part	Description	Quantity	Picture
AA	Bolt 1/4 x 1-1/4 in	13	
BB	Flat Washer	13	
CC	Wood Dowel	14	
DD	Bolt 5/32 x 1 in	4	
EE	Screw	16	
FF	Knob (with bolt)	8	
GG	Shelf Pin	4	
HH	Caster	2	
II	Caster (with stopper)	2	

(4個は引き出しに取り付け済み)

SAFETY INFORMATION

WARNING

- Before assembly, carefully use scissors or utility knife to cut and unwrap all parts. Make sure you do not discard the hardware.

CAUTION

- Use care in assembling your new kitchen cart. Take your time and use the hardware provided and a quality Phillips head screwdriver. Never overtighten bolts.
- Do not sit on any part of the kitchen cart.
- All panels are labeled left and right as viewed from the front of unit.

PREPARATION

Before beginning assembly of product, make sure all parts are present. Compare parts with package contents list and diagram above. If any part is missing or damaged, do not attempt to assemble, install or operate the product. Contact customer service for replacement parts.

Estimated Assembly Time: 60 Minutes



Tools Required for Assembly (not included): Phillips head screwdriver, scissors and utility knife



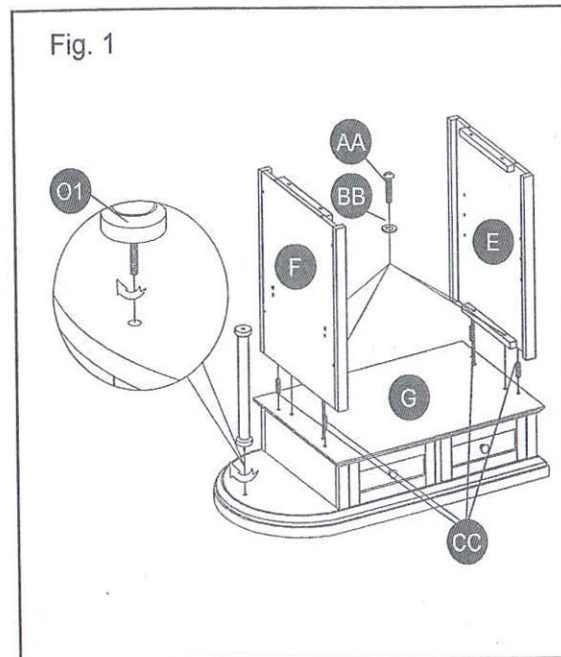
ASSEMBLY INSTRUCTIONS

- Put the top (G) upside down and locate the Left/Right side panels (E,F), Insert wood dowels (CC) in the holes of two side panels, using Bolts (AA) and washer (BB) attach them to the top. Tighten the support post (O1) as the illustration shown.

Hardware Used



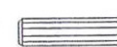
AA	Bolt 1/4 x 1-1/4 in		x 4
BB	Flat Washer		x 4
CC	Wood Dowel		x 4

傷つかないよう布などを敷いた床の上に天板をひっくり返して置き、E, F, O1 を組み立てます。※ひっくり返す際引き出しが開かないようご注意ください。(引き出しは取り外しできません)

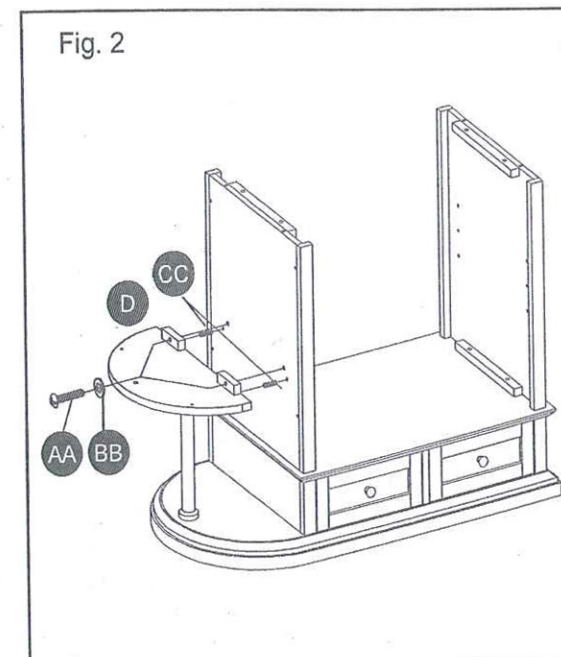


- Put the Semi-circle panel (D) on the Support Post (O) and Insert Wood Dowels (CC) through the pre-drilled holes, using Bolts (AA) and Washers (BB) through the pre-drilled holes in the mounting blocks attach it to the side panel.

Hardware Used

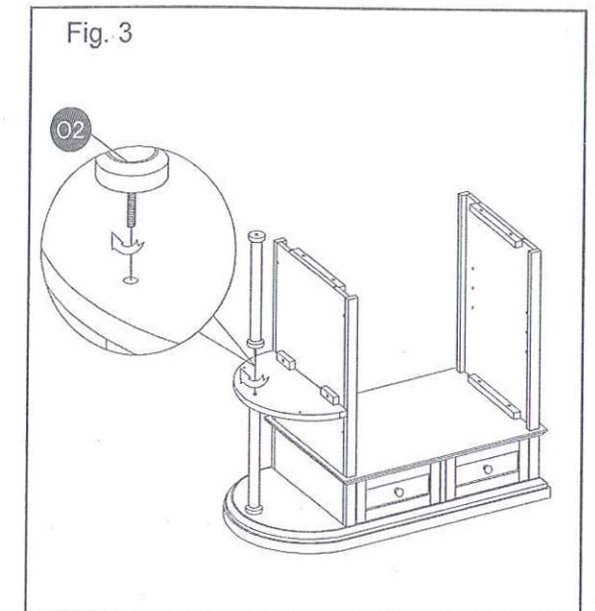
AA	Bolt 1/4 x 1-1/4 in		x 2
BB	Flat Washer		x 2
CC	Wood Dowel		x 2

D を F に取り付けます。



- Put another support post (O2) on the Semi-circle panel (D) and tighten.

D に O2 を取り付けます。



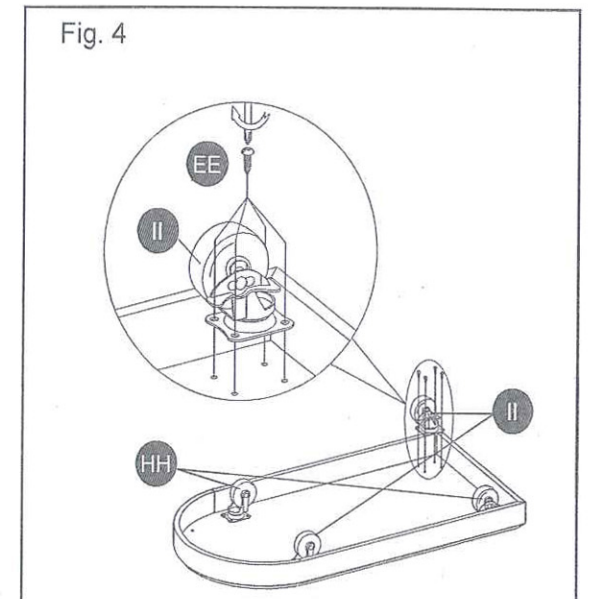
- Crew 2 caster HH and 2 caster II on the base.

Hardware Used

EE	Screw		x 16
----	-------	---	------




ベースにキャスターをビスで取り付けます。

キャスターはストッパー付きとそうでないものが2個ずつあります。対角線上に取り付けてください。

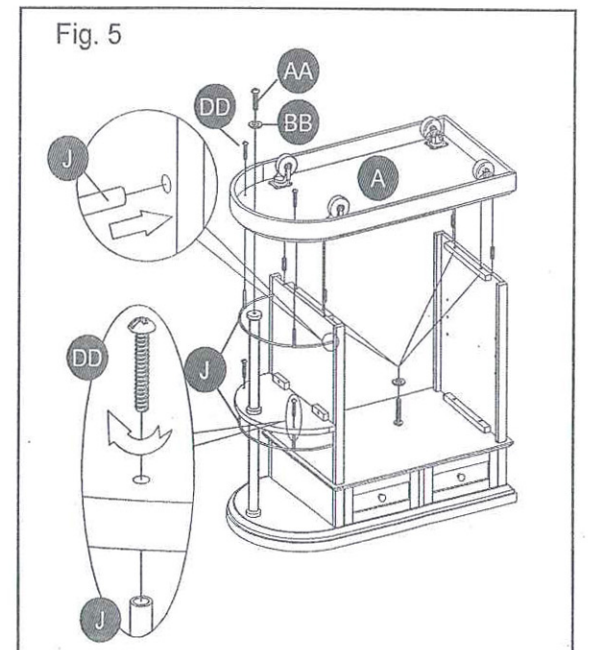


- Install the Semi-Circle Rail (J) by Bolt (DD) and make sure the end edge through the side panel holes. Insert wood dowels in the pre-drilled holes. Put the base from step 4 on the assembly step 3. Attached it on the side panels by using Bolts and washers. Make sure the bolts through the holes on the rails.

Hardware Used

AA	Bolt 1/4 x 1-1/4 in		x 5
BB	Flat Washer		x 5
CC	Wood Dowel		x 4
DD	Bolt 5/32 x 1 in		x 4

E, F の上にダボを入れ、その上にベースを置き、ボルト 5 個で取り付けます。J(レール)2 個を D の穴に差し込んだ後、それぞれ DD のボルト 2 個で取り付けます。

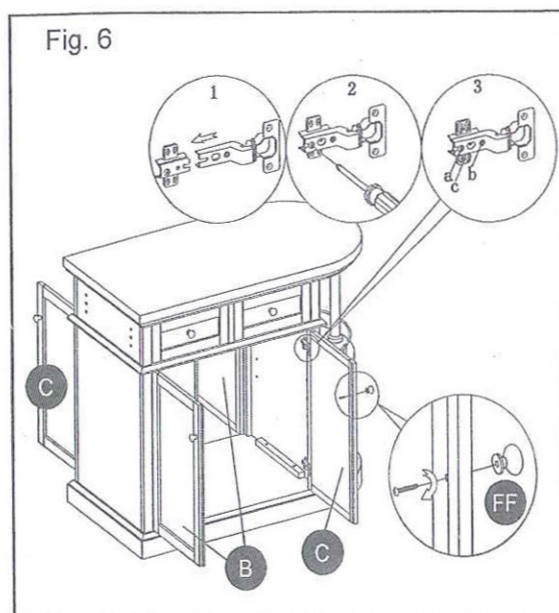


扉にノブを取り付けます。次に扉を本体に取り付けます。
扉の位置や傾きの調整は別紙を参照してください。

6. Locate Right Doors (C) and Left Doors (B). Slide door hinge keyhole into panel hinge bracket. (Diagram 1)
Use Phillips Head Screwdriver to tighten screws. (Diagram 2)
TO ADJUST HINGES
To adjust door forward or backward change keyhole slot position. (As Shown In Diagram 3a)
To adjust door right or left loosen/tighten screw. (As Shown In Diagram 3b)
To adjust door up or down adjust bracket height. (As Shown In Diagram 3c)
Attach the Knob (FF) to the Left Doors (B) and Right Doors (C), use the bolts attached through the pre-drilled holes in the doors. Then use a Phillips Head Screwdriver to tighten the bolts.

Hardware Used

FF Knob (with bolt)  x 8

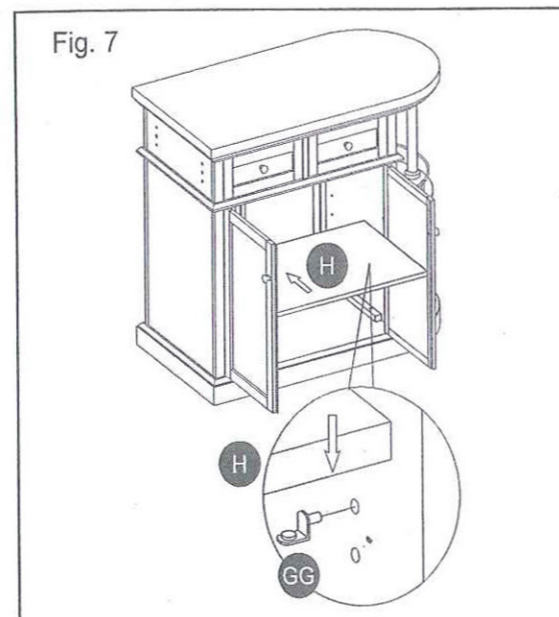


7. Choose desired height of Interior wood shelf (H) and place the four Shelf Pins (GG) into same height shelf holes inside side panels. Insert Wood Shelf (H), allow Wood Shelf (H) to rest on the Shelf Pin (GG).

Hardware Used

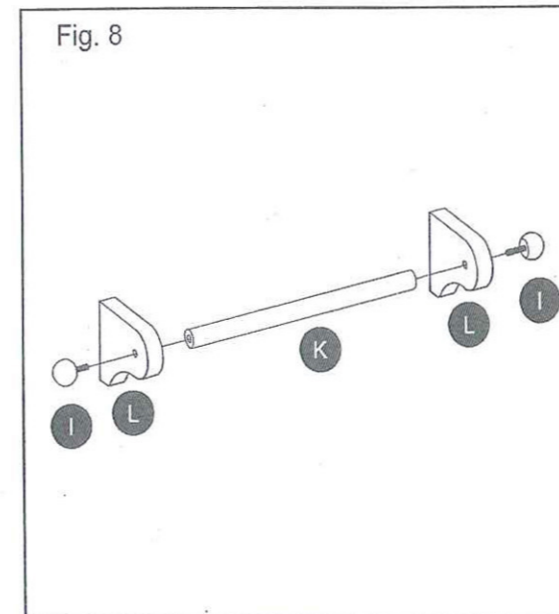
GG Shelf Pin  x 4

棚板ピンを取り付け、棚板を置きます。



8. screw the Cap (I) through the connect blocks (L) to install the pushing bar (K).

右図のように取っ手を組み立てます。



9. Insert wood dowels in the holes on the top side, push the bar to cart body using the bolt and washer to connect them.




Hardware Used

AA Bolt 1/4 x 1-1/4 in  x 1
BB Flat Washer  x 1
CC Wood Dowel  x 2

天板のサイドにダボを入れ、取っ手を内側からボルトで取り付けてください。
※引き出しを開けながら行ってください。

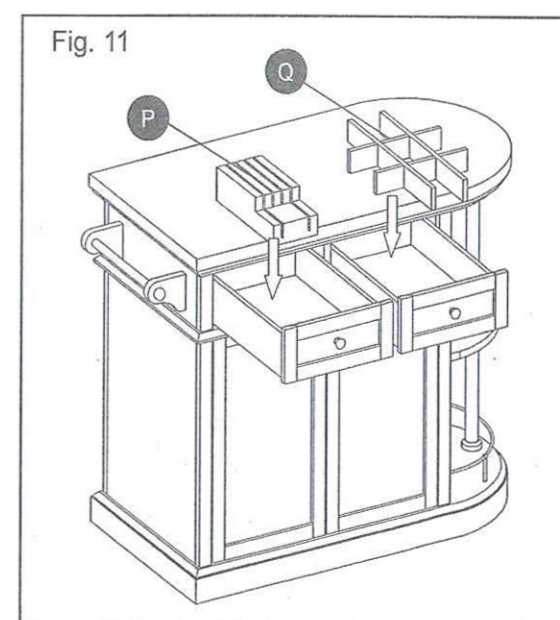
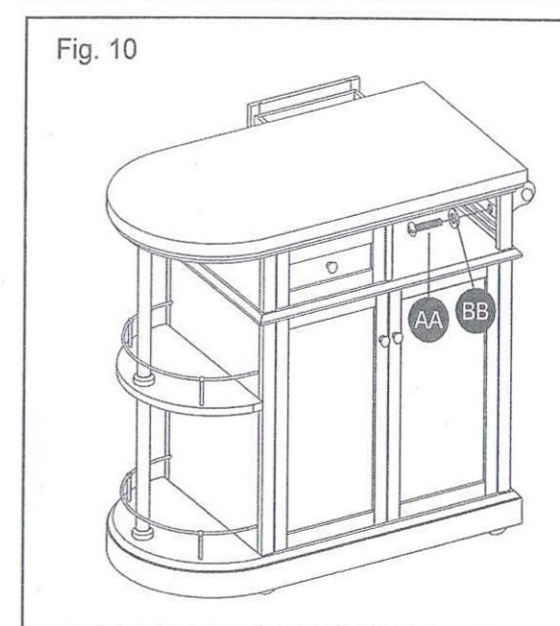
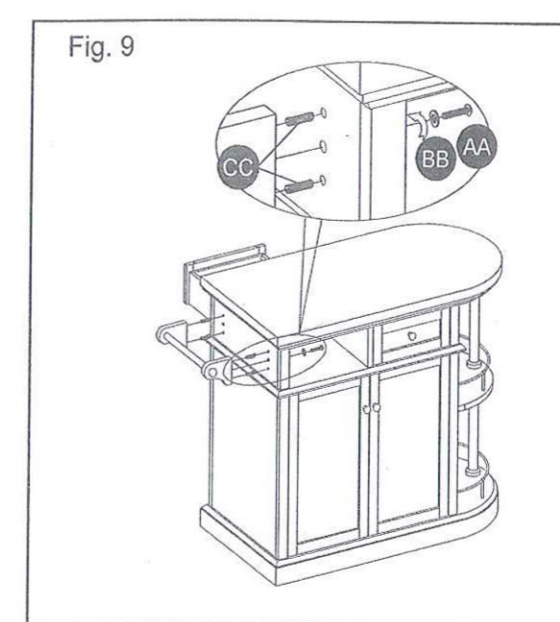
10. Push back the drawer and left space for opposite installation.
To install the drawers, slide the silver glide roller out to front of cart. Align the bottom of drawers box glide track and gently insert drawer into Cart.

Hardware Used

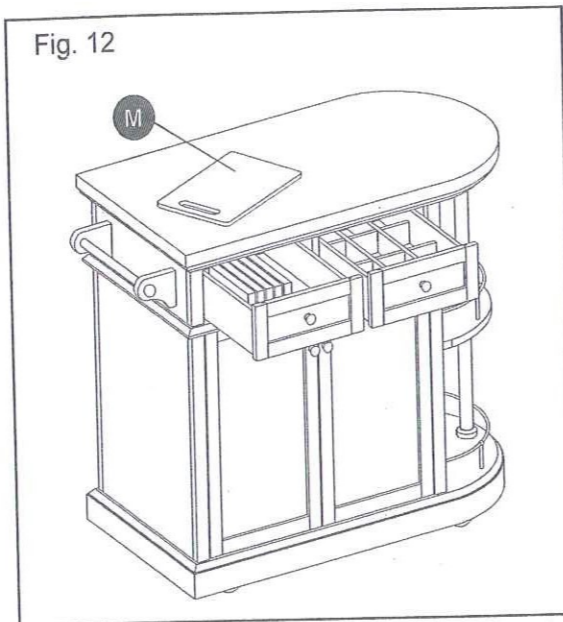
AA Bolt 1/4 x 1-1/4 in  x 1
BB Flat Washer  x 1
CC Wood Dowel  x 2

反対側も同様に取り付けてください。

11. Put Knives Rest (P) and dividers (Q) in drawers once completed assembly, it's easy for you to manage your mess kit.



12. Along with the cart have a cutting board for you free.



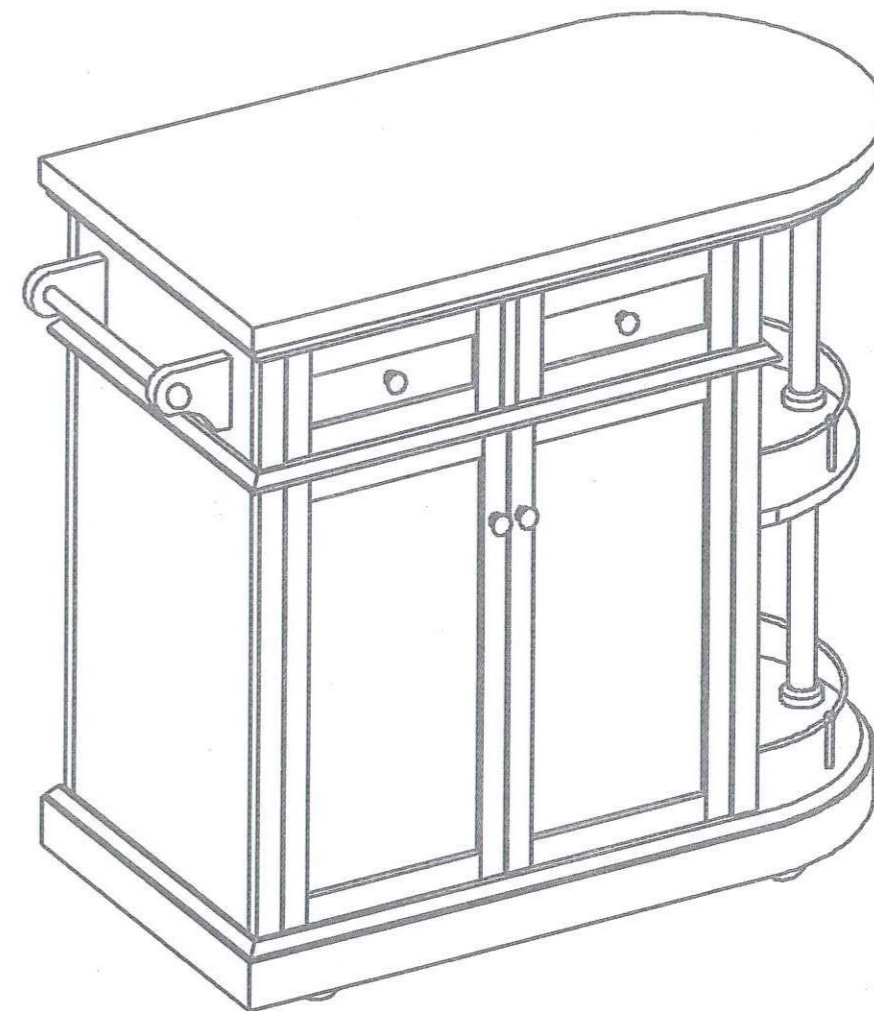
CARRITO DE COCINA

KC4339-P239-40

INSTRUCCIÓN DE MONTAJE

English p. 1

Français p. 17



Twin-Star International, Inc.
Delray Beach, FL 33445

Fabricado en China
Impreso en China

Servicio de atención al cliente:

Correo electrónico: parts@twinstarhome.com
Línea para llamadas en inglés: 866-661-1218
Línea para llamadas en francés: 866-374-9203
Línea para llamadas en español: 866-661-1218